



APPLE - VARIABLE/PROPORTIONAL SOLID STATE RELAY



GENERAL	
Operating temperature	- 30 deg. C to 80 deg. C
Operating frequency	47 Hz to 63 Hz.
I / O Insulation	>2 kV
I / O Isolation base	>3 kV
Weight	@ 250 g
Dimensions (L * B * H)	104 * 73.5 * 21
LED ON indication on request	

SALIENT FEATURES:

- 2 KV ISOLATION.
- LOW INPUT CURRENT.
- INPUT SELECTION: 4-20 MA; 0-5VDC ; 1- 20 MAS (LINEAR WRT ANGLE OF FIRING BET 0-180°).
- "SNUBBERED" TRIAC OUTPUT.
- TRANSIENT IMMUNITY.
- FASTER SWITCHING RESPONSE.
- NO NOISE FEEDBACK FROM OUTPUT TO INPUT.
- A LONGER LIFETIME DUE TO CONTACTLESS SYSTEM.
- THERMOCOUPLE/ DEPENDENT SSR AVAILABLE.

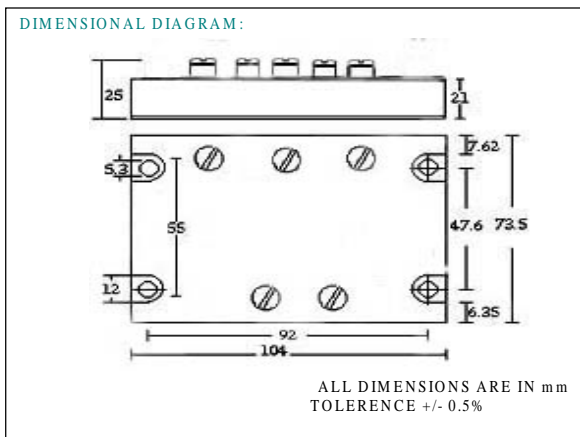
TECHNICAL DATA (@ TA = 25°C)

INPUT	4 - 20 mA (OPTIONAL CURRENT COULD BE GIVEN)			0 - 5 V(D.C) (OPTIONAL VOLTAGE COULD BE GIVEN)		
	MIN	MAX	UNIT	MIN	MAX	UNIT
INPUT PARAMETER	4	20	mA	0	5	V
INPUT OFF VALUE	3.8	20.5	mA	0	5.5	V
AUX SUPPLY VOLTAGE	15	24	V	15	24	V
AUX CURRENT	10	16	mA	10	16	mA
OUTPUT	SYMBOL	ZERO SWITCHING				UNIT
MAX NOMINAL RMS CURRENT	I_T	10	15	25	40	A
LINE VOLTAGE		280	480	280	480	V A.C.
MINIMUM LINE VOLTAGE		24	24	24	24	V A.C.
SYNCHRONIZING VOLTAGE		5 - 20	5 - 20	5 - 20	5 - 20	V PK
MAX ON STATE VOLTAGE DROP	V_{TM}	1.6	1.6	1.85	1.85	V_{RMS}
PEAK ONE CYCLE SURGE ON STATE	I_{TSM}	90	125	240	300	A
LEAKAGE CURRENT	I_{DRM}	7 - 10	7 - 10	7 - 10	7 - 10	mA
TURN OFF TIME(MAX FOR ZERO SWITCHING)	T_{OFF}	10	10	10	10	ms
RATE OF RISE OF OFF STATE VOLTAGE	dV / dt	200	200	200	200	V/s
HOLDING CURRENT	I_{HO}	75	75	75	75	mA
FUSING CURRENT	I^2t	72	110	312	450	A ² s
THERMAL RESISTANCE(JUNCTION - CASE)	Θ_{JC}	3.4	2.3	1.5	1.2	° C/W

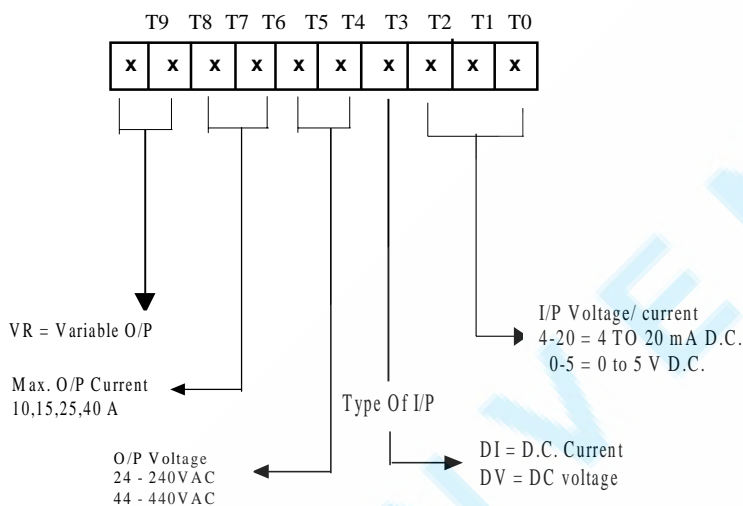
NOTE:

1. Ratings are based on single mounted unit in free air flow for closely packed units. Careful consideration of ambient temperature will be necessary on account of restricted airflow.
2. Use of metal oxide varistor for transient voltage protection, and semi conductor protection is recommended.
3. For load current above 3A, heat sink is to be used. To select heat sink, consult manufacturer.
4. Ensure correct input supply, relay operation may be erratic for inputs between 1-4VDC
5. For ordering information, please refer to the SOLID STATE RELAY SELECTION GUIDE

Specifications subjected to change without notice.



SELECTION CRITERIA:



e.g. => **VR4044DI4-20**
 VR = Variable O/P
 40 = 40 A (Max O/P Current)
 44 = 440 V A.C. O/P
 DI = D.C. Current I/P
 4-20 = 4 To 20 mA Current I/P