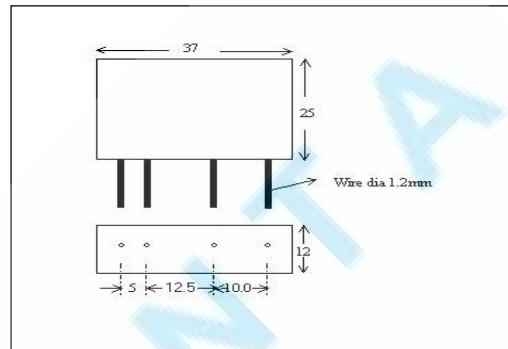


APPLE - IO DEVICES SOLID STATE RELAY



TECHNICAL DATA (@ TA = 25 °C)

GENERAL	
Operating Temperature	30°C to 80°C
Operating Frequency	47Hz to 63Hz
Insulation Between Out/input	> 1.5 KV
Weight in gms	max 30 gms
Dimensions (LxBxH)	Refer Diag.

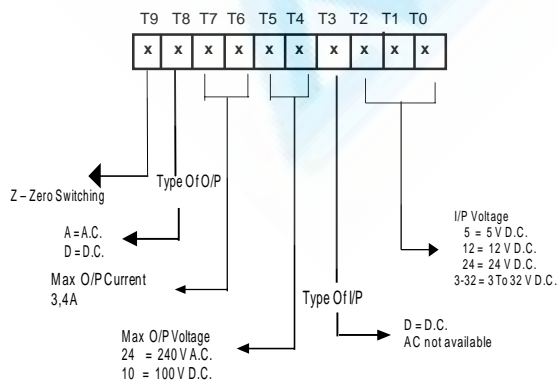
Specifications subject to change without notice.

INPUT	5VDC	12VDC	24VDC	UNIT
Relay Switch ON Voltage	4	10	20	V DC
Relay Switch OFF Voltage	1	2	3	V DC
Input Current	15	20	22	mas DC
Input Impedence	0.330	0.600	2.2	K Ohms

OUTPUT AC	Symbol	Zero Sw	Unit	
Max Nominal RMS Current	I_{tsm}	4	7	A AC
Load Voltage max	V_{max}	240	240	VAC
Min Load Voltage	V_{min}	24	24	VAC
ON state Voltage drop	$V_{on max}$	1.6	1.6	VAC

OUTPUT DC	Symbol	DC switching	Unit	
Max Nominal Current	I_{tsm}	3	5	ADC
Load Voltage max	V_{max}	80	100	VDC
Min Load Voltage	V_{min}	12	12	VDC
ON state Voltage drop	$V_{on max}$	2.0	2.0	VDC

SELECTION CRITERIA:



e.g. =>ZA424D332
 Z = Zero Switching
 A = A.C. O/P
 4 = 7 A (Max O/P Current)
 24 = 240 V A.C. O/P
 D = D.C. I/P
 332 = 3 To 32 V I/P