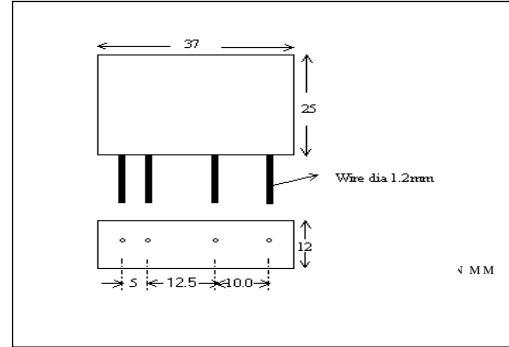




APPLE - IO DEVICES SOLID STATE RELAY



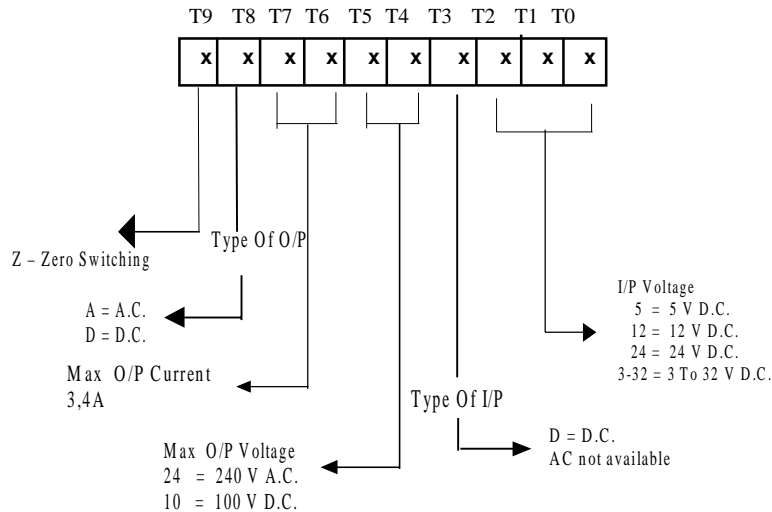
TECHNICAL DATA (@ TA = 25 ° C)

GENERAL	
Operating temperature	- 30 deg. C to 80 deg. C
Operating frequency	47 Hz to 63 Hz
Insulation Between In & Out terminals shorted (Optical)	>1.5 kV
Weight	@ 30 g
Dimensions (L* B * H)	Refer Diagram
LED ON indication on request	

INPUT	5 V D.C.	12 V D.C.	24 V D.C.	3-32 V D.C.	UNIT
INPUT ON VOLTAGE	4	19.2	28.8	3 - 32	V D.C.
INPUT OFF VOLTAGE	1	1	1	2.4	V D.C.
INPUT CURRENT	15	20	22	8 - 24	mA
INPUT IMPEDENCE	0.330	0.600	2.2	-	K Ω
UTPUT A.C.		SYMBOL	ZERO SWITCHING	UNIT	
MAX NOMINAL RMS CURRENT		IT	4	A A.C.	
LINE VOLTAGE		-	240	V A.C.	
MIN LINE VOLTAGE		-	24	V A.C.	
MAX ON STATE VOLTAGE DROP		V ON	1.6	V RMS	
UTPUT D.C.		SYMBOL	ZERO SWITCHING	UNIT	
MAX NOMINAL RMS CURRENT		IT	3	A D.C.	
LINE VOLTAGE		-	100	V D.C.	
MIN LINE VOLTAGE		-	12	V D.C.	
MAX ON STATE VOLTAGE DROP		V ON	1.8	V D.C.	

Specifications subject to change without notice.

SELECTION CRITERIA:



e.g. => ZA424D332
 Z = Zero Switching
 A = A.C. O/P
 4 = 7 A (Max O/P Current)
 24 = 240 V A.C. O/P
 D = D.C. I/P
 332 = 3 To 32 V I/P